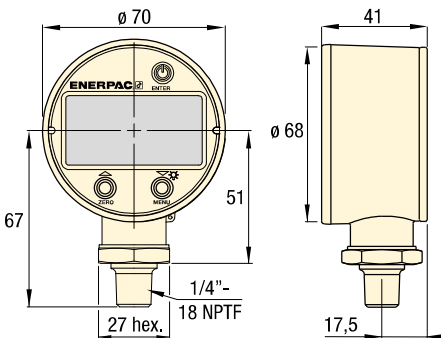


Digital Hydraulic Pressure Gauge

▼ Gauge shown: **DGR-2**



- Rated for system pressure up to 1380 bar
- Displays in bar, psi, MPa and kg/cm²
- Zero reset - ensures that gauge reads actual pressure
- IP65 protection, UL listed, CE and RoHS compliant
- Batteries included, condition indicator on read-out
- Shut-off selectable – menu driven
- Back-lit readout allows easy reading in less than ideal lighting
- Protective cover included.



High Pressure Rating (bar)		High Pressure Rating (MPa)		Model Number	High Pressure Rating (psi)		High Pressure Rating (kg/cm ²)	
Range	Resolution	Range	Resolution		Range	Resolution	Range	Resolution
0-1380	0,1	0-140	0,01	DGR-2	0-20.000	1	0-1400	0,1

Weight: 0,23 kg.

DGR Series

Pressure Range:

0 - 1380 bar

Voltage:

3 Volt (battery)

Accuracy, % of full scale:

± 0,25%



Gauge Adaptor

For easy gauge installation into almost any system, Enerpac offers a complete line of gauge adaptors. Maximum operating pressure 700 bar.

Page: 135

▼ Greater accuracy and easier to read: enhance your ability to monitor and control hydraulic system pressure up to 1380 bar.

